

Test Equipment Connectors

- Quick release standard density signal test connector (0.100 x 0.100 [2.54 x 2.54] pitch)
- Drop-in replacement for standard ZIF connectors
- Half-turn quick mating device
- Self-cleaning, high reliability contacts
- Rugged design

General Specifications	
Number of Contacts	60, 96, 156
Insulator Material	Glass reinforced thermoplastic
Contact Material	Brass
Socket Wire Material	Beryllium copper
All Other Metal Part Material	Stainless steel
Cover Material	High impact, flame retardant thermoplastic resin
Contact Plating	ASTM-488-B gold plate
Contact Diameter	0.024 [0.60] nominal
Contact Resistance	7 milliohms max.
Current Rating	4 Amps nominal
Voltage Rating	170 VDC or AC peak nominal
Insulation Resistance	5 Gigohms min. at 500 VDC
Contact Life Cycles	1,500 min.
Extraction Force	1.0 oz. per contact
Temperature Range	-55° to 125° C
Proof Voltage	1.0 kV min.

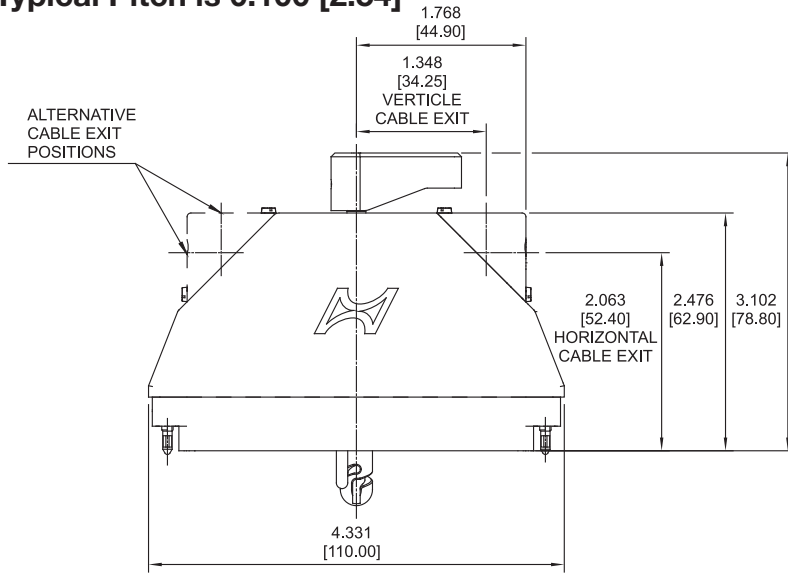
Dimensions are in inches [mm]

HDL 156 Contact Connector

Typical Pitch is 0.100 [2.54]

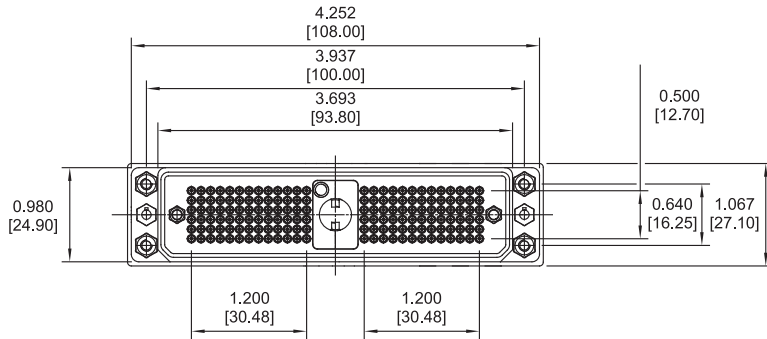
Male Connector

(Shown with Cover Fitted)

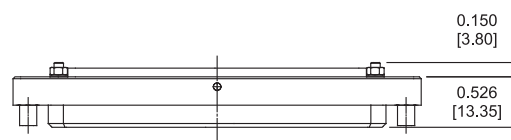


Male Connector

(Mating Face)

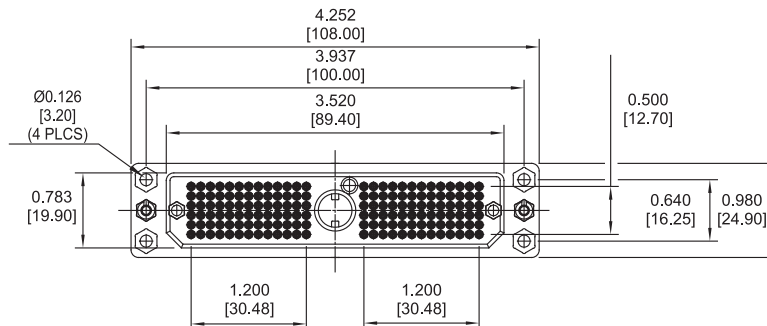


Female Connector

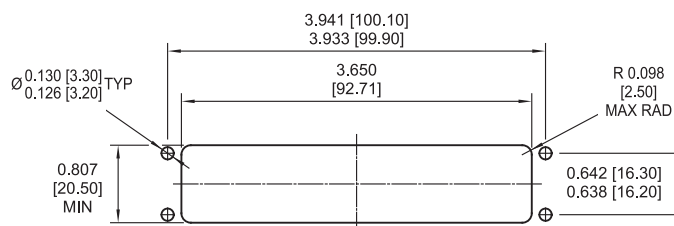


Female Connector

(Mating Face)



Panel Cutout



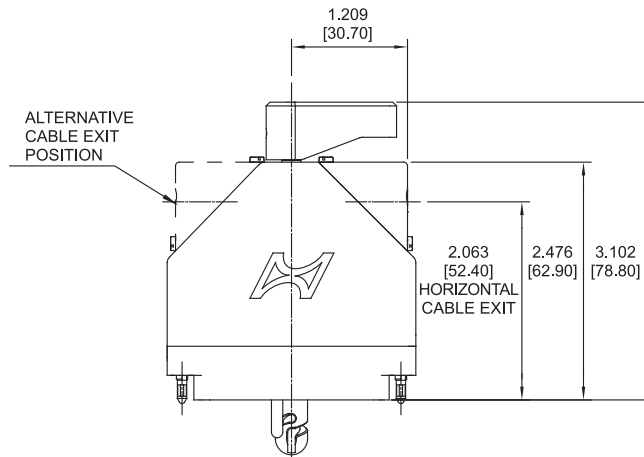
Dimensions are in inches [mm]

HDL 96 Contact Connector

Typical Pitch is 0.100 [2.54]

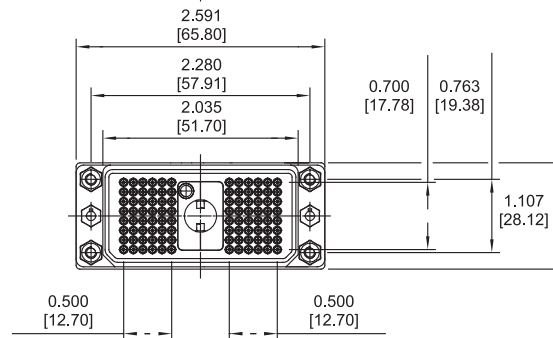
Male Connector

(Shown with Cover Fitted)

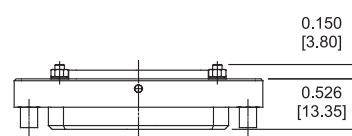


Male Connector

(Mating Face)

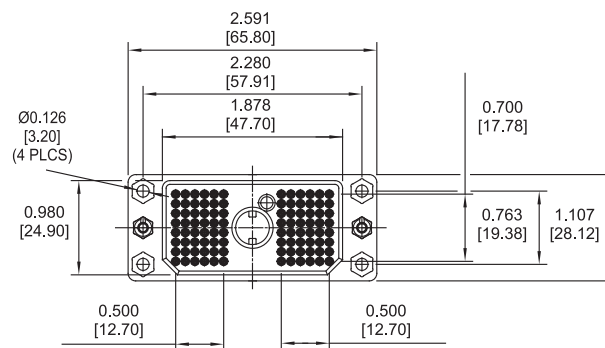


Female Connector

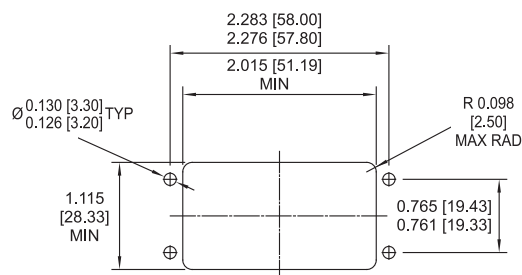


Female Connector

(Mating Face)



Panel Cutout



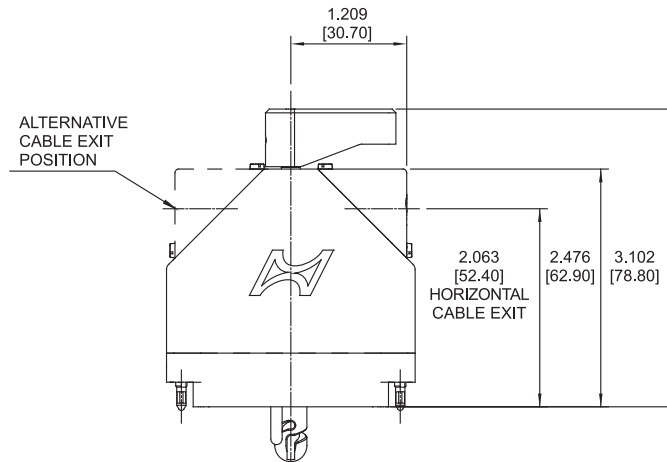
Dimensions are in inches [mm]

HDL 60 Contact Connector

Typical Pitch is 0.100 [2.54]

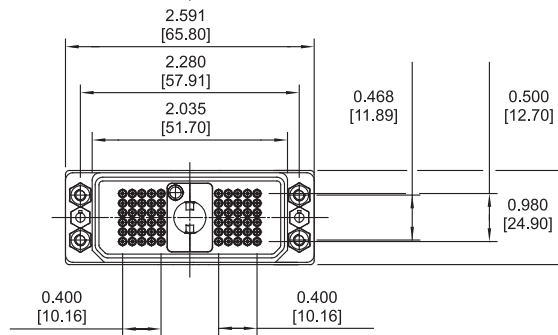
Male Connector

(Shown with Cover Fitted)

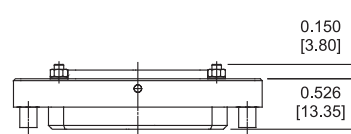


Male Connector

(Mating Face)

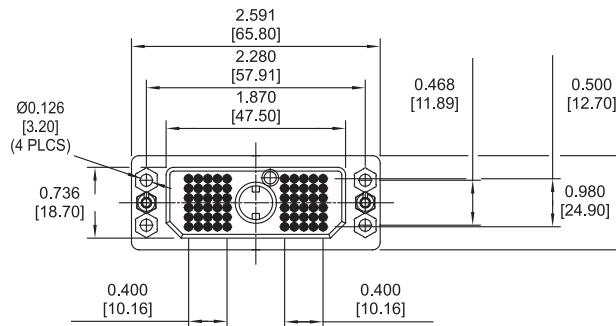


Female Connector

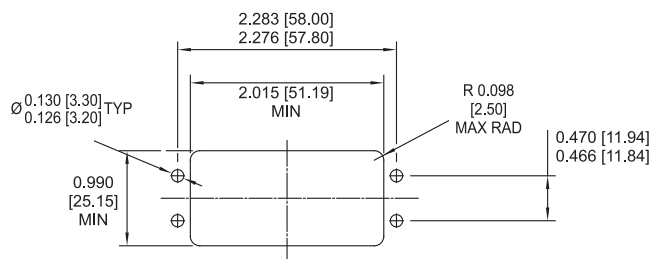


Female Connector

(Mating Face)

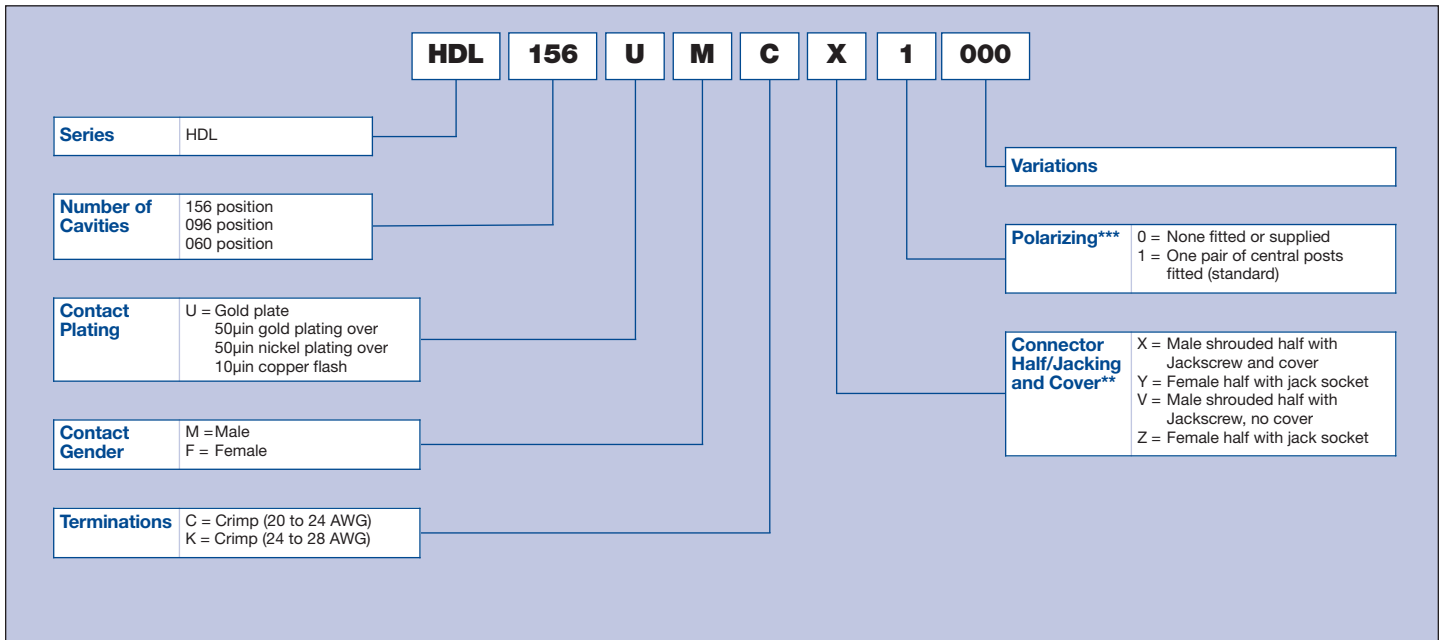


Panel Cutout



Dimensions are in inches [mm]

Part Number Configurator



** Covers, cable clamps and jack knobs will be supplied loose.
 *** Polarizing settings to be carried out by customer.

Crimping Information			
AWG	Number of Wires	Nominal Diameter of Wires	Crimp Tool Selector Setting Position
20	19	0.20mm	6
22	19	0.15mm	5
24	7	0.20mm	4
26	7	0.15mm	3
28	7	0.125mm	2

Tools	
Contact Extraction Tool.....	HPD 286
Spare Tips for Extraction Tool.....	HPD 280
Contact Insertion Tool.....	Use non-ferrous long pointed tweezers
Crimp Tool Positioner	HPD 309A
Crimp Tool	MIL-C-22520/2-01

Dimensions are in inches [mm]